

## PIM2024 Instructions for Poster Presentation

### 【Registration】

**Advance registration is required.**

Please register for the symposium from the website by **Monday, September 30**. When applying, put a check on the button "I would like to do a poster presentation." in the "Symposium Poster session" section. If the button is not checked, a poster presentation will not be allowed. Each presenter is requested to send the abstract by herself/himself. All symposium participants are welcome to attend the poster session.

Since the purpose of the poster session is discussion, previously published data will be accepted.

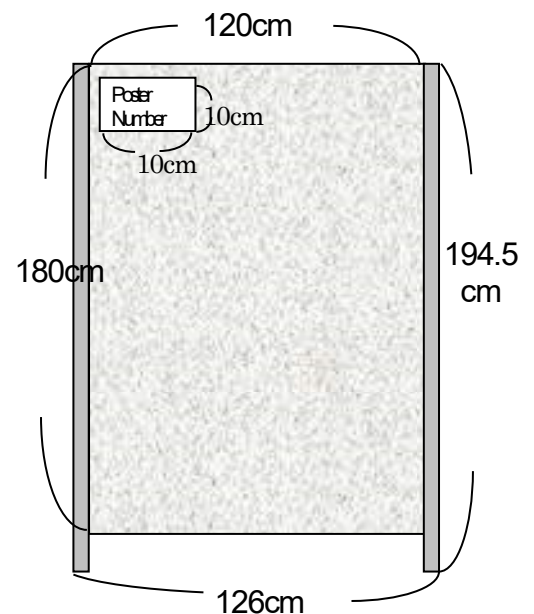
### 【Poster】

After we have received all the abstracts, we will inform you of your poster number. Please display your poster on the board with your poster number.

Posters should be no larger than 180 cm (H) x 120 cm (W) and must be in English.

Pushpins to attach the poster will be provided.

No need to submit your poster in advance. Please bring your own poster on the day of the session and remove it by yourself. If you cannot do that, please let us know it in advance.



### 【Abstract】

Please send your abstract manuscript by **Monday, September 30**, according to the following instructions.

Please note if the deadline is missed, the abstract will not be published in the abstract book.

To: pim2024@pim-sympo.jp (Please be sure to submit by e-mail, not by FAX)

Subject: PIM2024 Poster Abstract

Body: Include your name, affiliation, e-mail address, and telephone number as contact information.

Please attach the abstract file on the e-mail, not describe the abstract as the body of the e-mail.

The "PIM Poster" (Microsoft Word) file contains details on how to prepare the abstract.

Write your abstract in this file.

Text can be expressed in color, but figures cannot be inserted.

Please indicate special characters and italics so that they can be recognized.

## 【Procedure】

### 1. Posting posters

Date and Time: Thursday, November 14, 10:00 to 12:00 (tentative)

\*If you are unable to post your poster at this time, please be sure to contact the following address in advance.

\*If the time has changed, it will be notified on PIM website.

### 2. Poster session

Date and Time: Friday, November 15, 11:40 to 13:30 (tentative)

\*Presentations by company may be held.

\*The time may be changed. Please confirm with the final announcement.

### 3. Poster Removal

Date and Time: Friday, November 15, 17:15 to 17:45 (tentative)

\*Please note that posters that have not been removed will be removed by the secretariat.

## 【Venue】

Ehime University,  
3 Bunkyo-cho, Matsuyama,  
Ehime 790-8577,  
Japan

### Poster Venue

 E.U.Regional Commons

### Symposium Venue

 Nanka Memorial Hall



## 【Contact Information】

Proteo - Science Center,  
Ehime University,  
3 Bunkyo-cho, Matsuyama,  
Ehime 790-8577,  
Japan

FAX : 089-927-8528

E-mail : [pim2024@pim-sympo.jp](mailto:pim2024@pim-sympo.jp)

URL : <https://www.pim-sympo.jp/>